

111

4

3

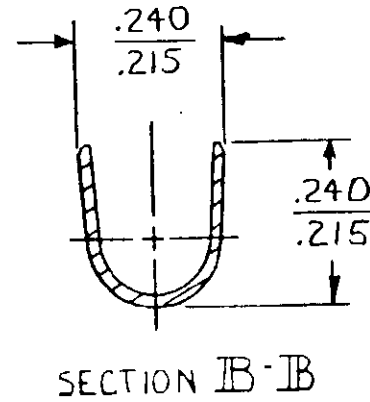
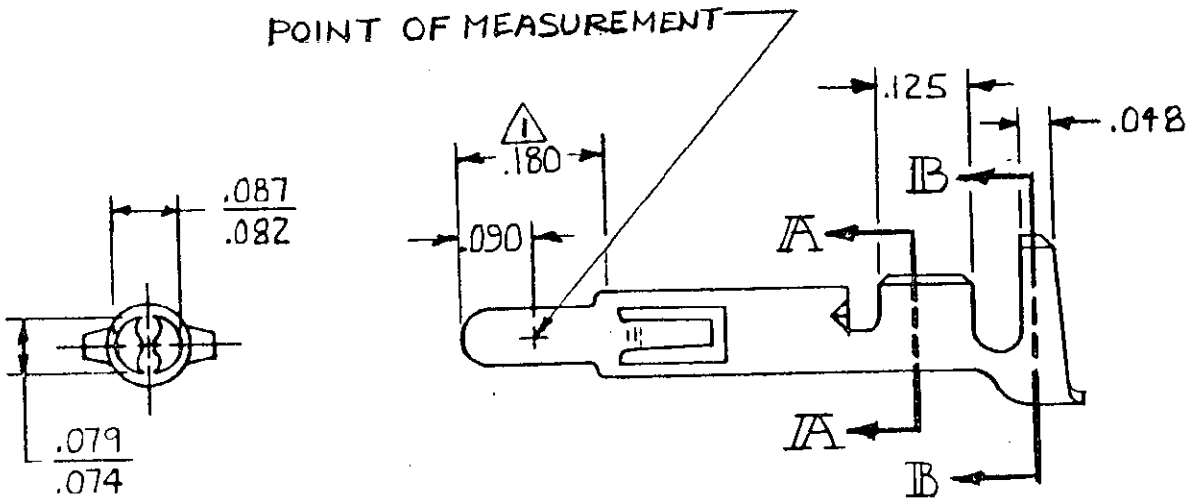
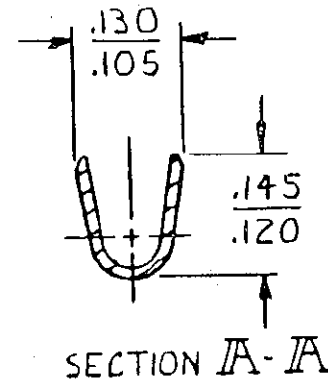
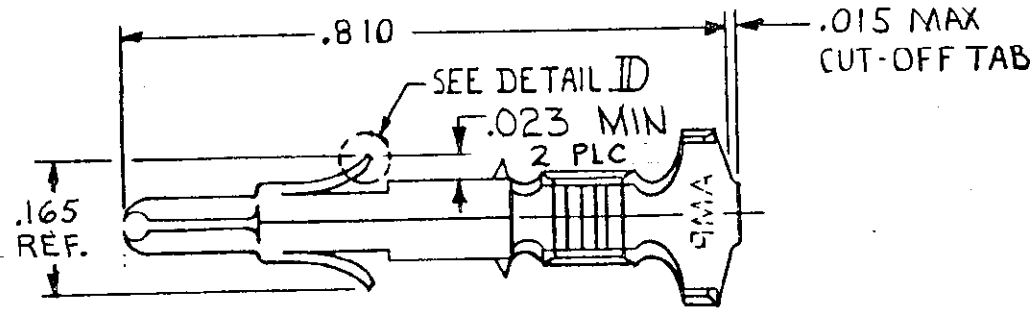
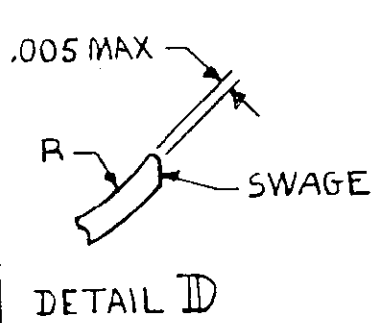
2

1 LOC CM DIST 53

DRAWING MADE IN THIRD ANGLE PROJECTION

© COPYRIGHT 1975 BY AMP INCORPORATED, HARRISBURG, PA. ALL INTERNATIONAL RIGHTS RESERVED. AMP INCORPORATED PRODUCTS COVERED BY U. S. AND FOREIGN PATENTS AND/OR PATENTS PENDING.

		REVISIONS				
P	F	ZONE	LTR	DESCRIPTION	DATE	APPROVED
✓	✓		D	REDRAWN & UPDATED M-6457	6-5-81	MSF/D.H.
✓	✓		E	REVISED M-7350	7/25/83	DWS/D.H.
✓			F	REVISED AG 57	10/21/83	W. Heide S. James
✓			G	REV PER ECN CM 51	12/12/84	TB/RS
✓			GI	RESTORED	4/23/85	MC/KS
✓			H	REVISED PER CM-1728	9-6-88	PH TB
✓			J	REV PER EC 0730-3607-91	1-7-94	RV RS



① PLATED WITH .000030 GOLD, OVER .000050 NICKEL UNDERPLATE.

② GOLD OVER NICKEL ON ENTIRE STAMPING; .000030 GOLD MINIMUM AT POINT OF MEASUREMENT IN CONTACT AREA, GOLD FLASH MINIMUM IN WIRE BARREL.

MATERIAL	FINISH	PART NO
.012 BRASS	GOLD ①	350707-7
.012 BRASS	GOLD ②	350707-2
	PRE-TIN	350707-1

UNLESS OTHERWISE SPECIFIED DIMENSIONS ARE IN INCHES. TOLERANCES ON: DECIMALS ±.015 ANGLES ±	CONTRACT NO	AMP AMP INCORPORATED Harrisburg, Pa.		
	DR <i>M. FEHER</i> 4-13-81			
	CHK <i>D.S. Heide</i> 6/9/81	NAME	SPLIT PIN, (LOOSE PIECE) UNIVERSAL MATE-N-LOK	
	APPD <i>B. Pappalardo</i> 6-10-81	SIZE	CODE IDENT NO	DRAWING NO
WIRE RANGE	DSGN APPD	B	00779	350707
INSULATION RANGE	OTHER APPD	SCALE 4-1	SHEET	
.200 DIA MAX				

CUSTOMER DRAWING